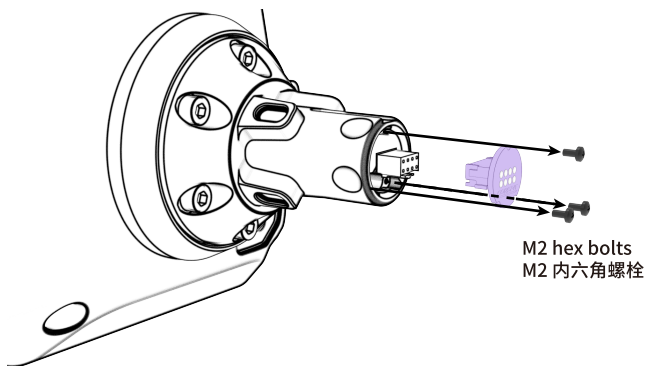
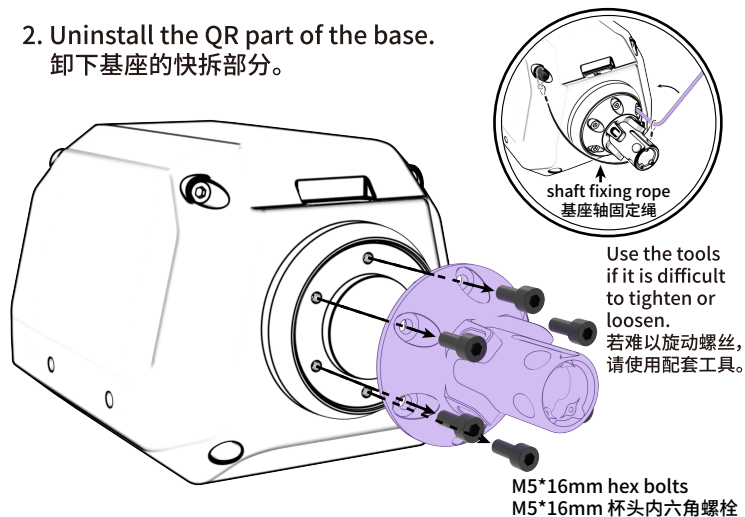


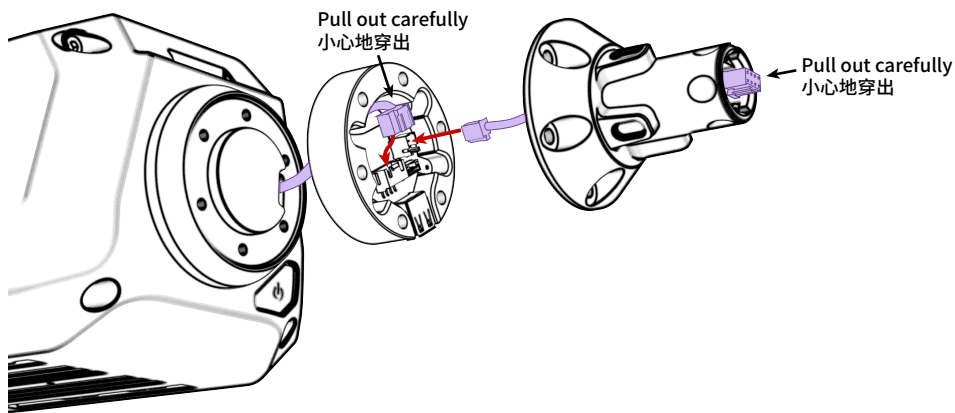
1. Uninstall the PCB, then unplug the connector.
卸下 PCB, 并拔下其插头。



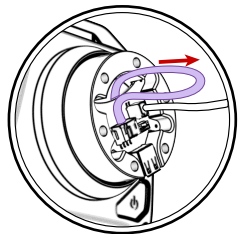
2. Uninstall the QR part of the base.
卸下基座的快拆部分。



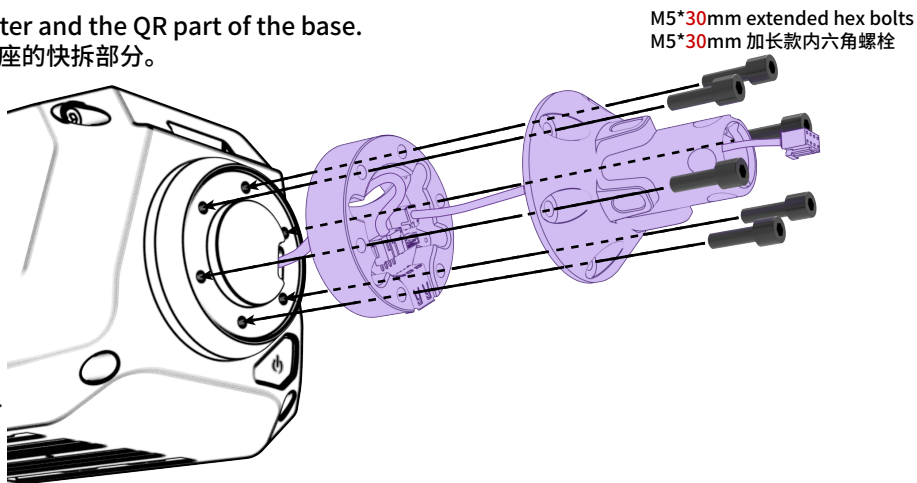
3. Connect the cables as shown.
按图示连接线。



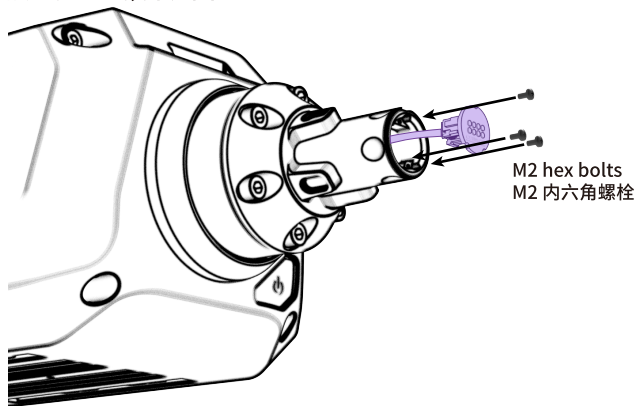
4. Install the USB adapter and the QR part of the base.
安装 USB 转接环和基座的快拆部分。



Please note: Pull out the cables carefully and wind them up on the outer side where there is ample space.
注意: 请将连接线适当拉出, 盘在空间较大的外侧。



5. Plug in the connector and reinstall the PCB.
将 PCB 连接至延长线, 并装回它。



6. Complete installing.
完成安装。

