

目录

产品免责声明..... 1

配件清单 4

01. 底面孔位图及推荐安装位 5

02. 安装踏板模块 6

03. 连接传感器数据线 7

04. 安装和调节踏板 8

05. 调节力度档位 9

06. 调节预紧力 10

07. 安装顶墙支架 11

08. 软件安装及设置 12

产品免责声明

我们特此提醒您注意:

使用本产品前请您仔细阅读并充分理解本产品免责声明及以下所有产品安全提示及操作规范。在中华人民共和国法律允许的范围内,恩速(上海)电子科技有限公司对因您未遵循以下任何安全提示或操作规范使用本产品所造成的一切人身伤害和/或财产损失不承担责任。

如您对本声明或以下产品安全提示及操作规范有任何疑问,您可通过support@conspit.com.cn咨询,阅读本声明及以下产品安全提示及操作规范的过程中,如果您不同意其中的任何内容,您应立即停止使用本产品。如果您开始使用本产品,您的使用行为将被视为对本声明及以下产品安全提示及操作规范全部内容的认可。

- 搬运及安装过程中的安全讯息**
 - 产品为部分金属和塑料材质,在零件安装过程中有发生碰撞伤害的可能,请勿在安装及使用穿着拖鞋、短裤等裸露皮肤较多的着装。
 - 零部件表面较为光滑,在取放及挪动时务必确保物品已被您妥善拿起,部件脱手掉落可能造成财产损失甚至人身伤害。
- 务必在安全的情况下使用本产品**

请确保使用者有自行活动能力及清醒的意识,请勿在生病、疲劳、受酒精/药物影响下使用本产品。
- 确定本产品已经安装妥当**

本产品需要您完成部分安装工作,确保您在安装过程中遵循产品手册上的步骤及指示,在没有正确牢固地安装的情况下使用可能会造成以下结果:部分紧固件脱落造成碰撞伤害;零件脱落飞出伤及自己或他人。
- 产品放置的安全讯息**
 - 请勿在该产品四周50公分(厘米)范围内堆放杂物,使用时在产品周围留出足够您从容使用及离开设备的空间。

CPP APEX:
Break free from spatial constraints, enjoy convenient control.



请先确认配件清单中全部零件再开始安装
安装过程大约需要10-20分钟

配件清单



*在联系技术支持之前,请注意产品上的序列号。这个序列号可以在保修卡和包装箱侧面找到,并展示在这里供您参考:



- 画面和表述可能与实际略有区别,请以实际为准。
- 在开始使用踏板之前,请仔细阅读本手册。
- 对产品的任何修改、篡改、更改或未经授权的使用都将使保修无效。
- 踏板没有防水功能,请将其远离水、雨水、湿气和其他含有液体的物品。
- 如果您长时间不使用该产品,请断开USB连接。

- 游玩时的安全讯息**
 - 请勿携带锐利物品(如钥匙、螺丝刀、美工刀等)进行驾驶活动,否则可能造成严重的人身伤害。
 - 避免他人进入使用者的操作区域内。
 - 避免过度用力使用,本产品在设计及生产过程中,已使用了较大的结构强度与安全裕度来防止零部件脱落/失效,然而,不适当的、超过正常使用情况范围的能力仍可能导致部件损坏,从而带来潜在的安全风险。
- 正常使用情况下可能引起危险的情况包括但不限于:**
 - 他人,或宠物将身体部位靠近使用者的操作区域。
 - 其他电子设备的连接线靠近踏板、方向盘等活动部件的工作区域。
 - 着装不能妥善覆盖膝盖、手臂、脚部、腿部等部位的皮肤。
- 遵循所有安全提示及操作规范**
 - 避免长时间使用本产品——长时间连续使用可能会造成疲劳、肌肉疼痛或其他负面影响,我们建议本产品单次使用时间为2小时,每日最长使用时间建议不超过6小时。
 - 禁止12岁以下儿童独立使用——本产品并非针对儿童使用所设计,儿童使用本产品须在其监护人的监护下使用。
- 有故障和损坏的产品**
 - 如果产品损坏或无法正常使用,请立即停止使用并咨询CONSPIT售后客服,继续使用可能会导致产品进一步损坏。
 - 请勿擅自对本产品或其配件进行拆解和维修。
- 常规预防措施**
 - 请妥善保管,保护本产品及其配件。
 - 请勿将本产品浸于液体中。
 - 请勿在任何存在易燃物的环境中使用本产品。
 - 在有灰尘或脏污的地点使用本产品可能会引起本产品损坏。
 - 请勿将本产品(及其部件)掉落或使其收到物理撞击。

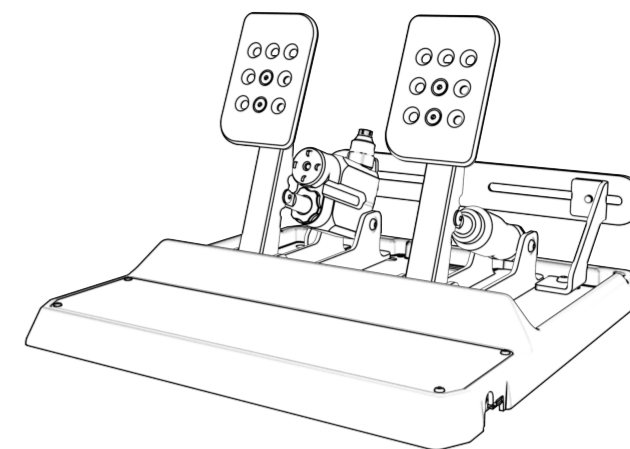


Table of Contents

Product Disclaimer 1

Packing List 4

01. Bottom Template and Recommended Installation Positions 5

02. Installation of Pedal Modules 6

03. Connection of Sensor Cables..... 7

04. Installation and Adjustment of Pedal Pads..... 8

05. Adjustment of Force Gear Position 9

06. Adjustment of Preload Force 10

07. Installation of Pedal Wall Anchor 11

08. Software Installation and Set-up 12

Product Disclaimer

We hereby reminds you that:

Before using this product, please ensure that you have carefully read and fully understood this Product Disclaimer and all the following product safety tips and operation specifications. To the extent permitted by the laws of the People's Republic of China, Ensu (Shanghai) Electronic Technology Co., Ltd. is not responsible for all personal injury and/or property damage caused by your failure to obey any of the following safety tips or operating specifications.

If you have any questions about this Disclaimer or the following product safety tips and operating specifications, you can consult through support@conspit.com.cn. In the process of reading this Disclaimer and the following product safety tips and operating specifications, you should immediately stop using this product if you do not agree with any of the contents. If you do use this product, your behavior will be regarded as an acceptance of this Disclaimer and the following product safety tips and operation specifications.

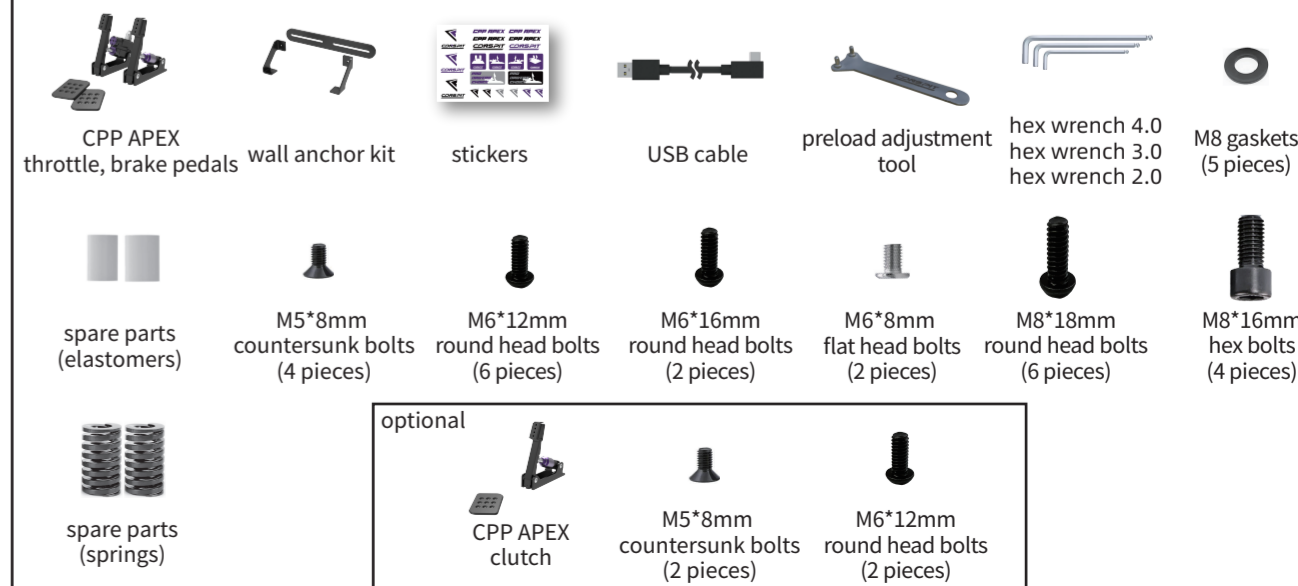
- Safety information during handling and installation:**
 - The product is made of metal and plastic. There is a possibility of collision injuries during the installation of parts. Please do not wear slippers, shorts, or clothing that exposes a lot of skin during installation and use.
 - When picking up and moving items, please make sure you have a firm grip. Dropping components can cause property damage or even personal injury.
- It is essential to use this product under safe conditions:**
 - Please ensure that the user has the ability to move independently and is conscious. Do not use this product when sick, fatigued, or under the influence of alcohol/drugs.
- Ensure proper installation of the product:**
 - This product requires you to complete some installation work. Please follow the steps and instructions in the product manual during the installation process. Using the product without proper installation may result in the following: partial fasteners coming loose and causing collision injuries, parts detaching and causing injury to yourself or others.
- Safety information for product placement:**
 - Do not pile up debris within a 50-centimeter radius around the product. Leave enough space around the product for comfortable use and movement.

CPP APEX:
Break free from spatial constraints, enjoy convenient control.



Please confirm all the components listed in the packing list before starting the installation.
The installation process is expected to take 10-20 minutes.

Packing List

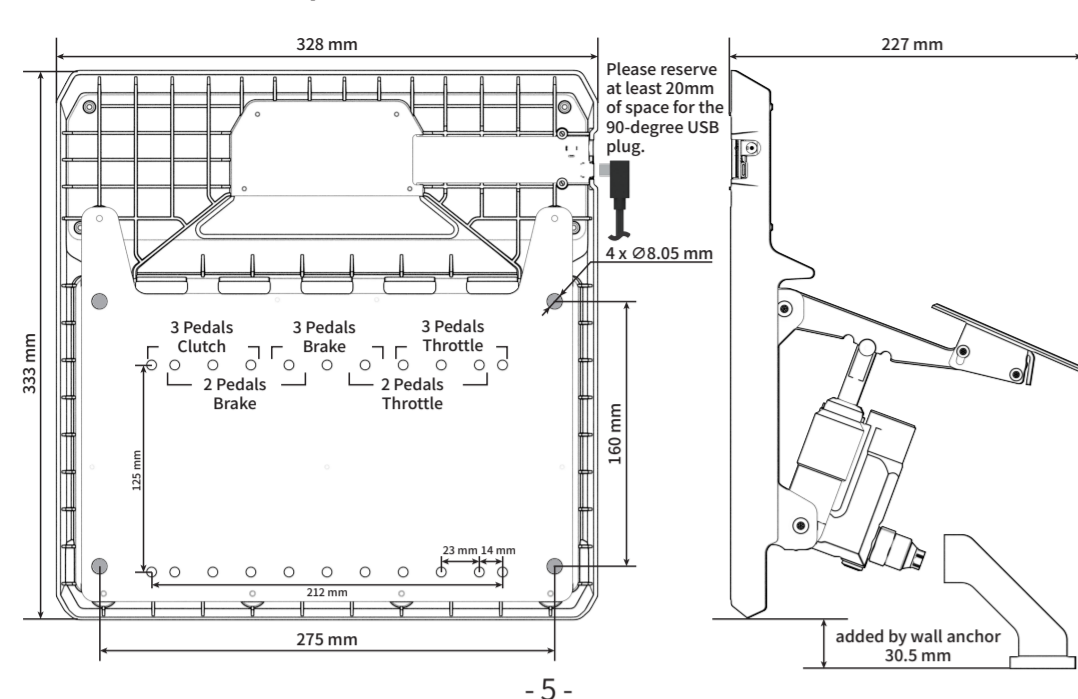


*Please note the serial number on your product before contacting the support. The serial number can be found on the warranty card and the side of the corrugated box, and written here for your convenience.



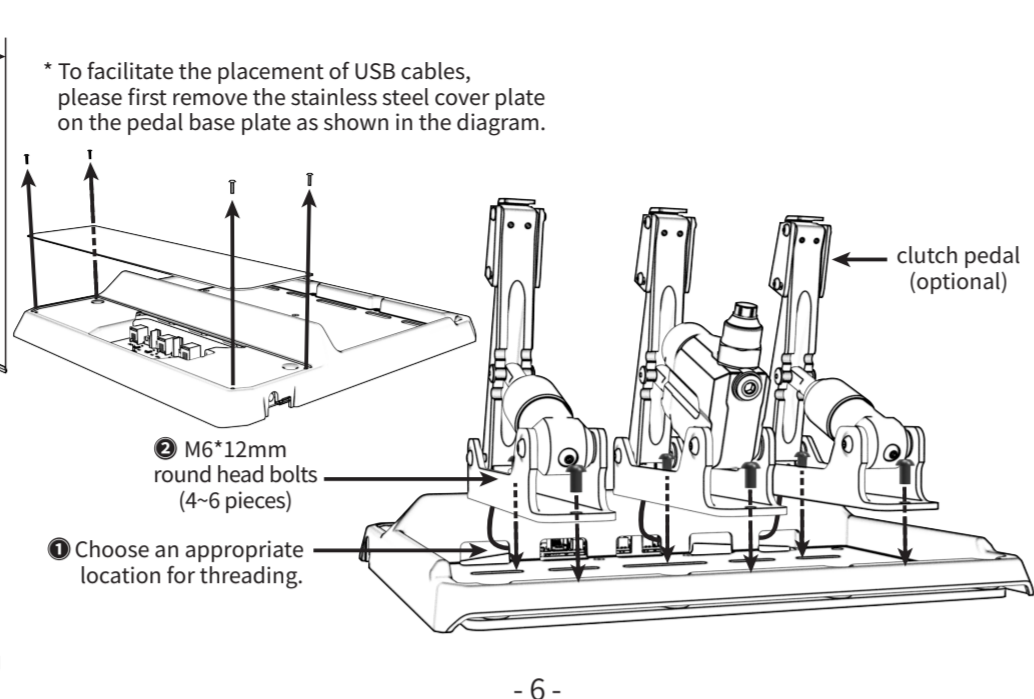
- There may be slight differences between the visuals and descriptions presented and the actual situation. Please refer to the actual circumstances.
- Please read the manual carefully before you use the pedal set.
- Any modifications, tampering, changes or unauthorized uses of the product will void the warranty.
- The pedal set has no waterproof feature, please keep it away from water, rain, moisture and other items containing liquid.
- Disconnect the USB cable if you will not use the product for a long time.

01 Bottom Template and Recommended Installation Positions



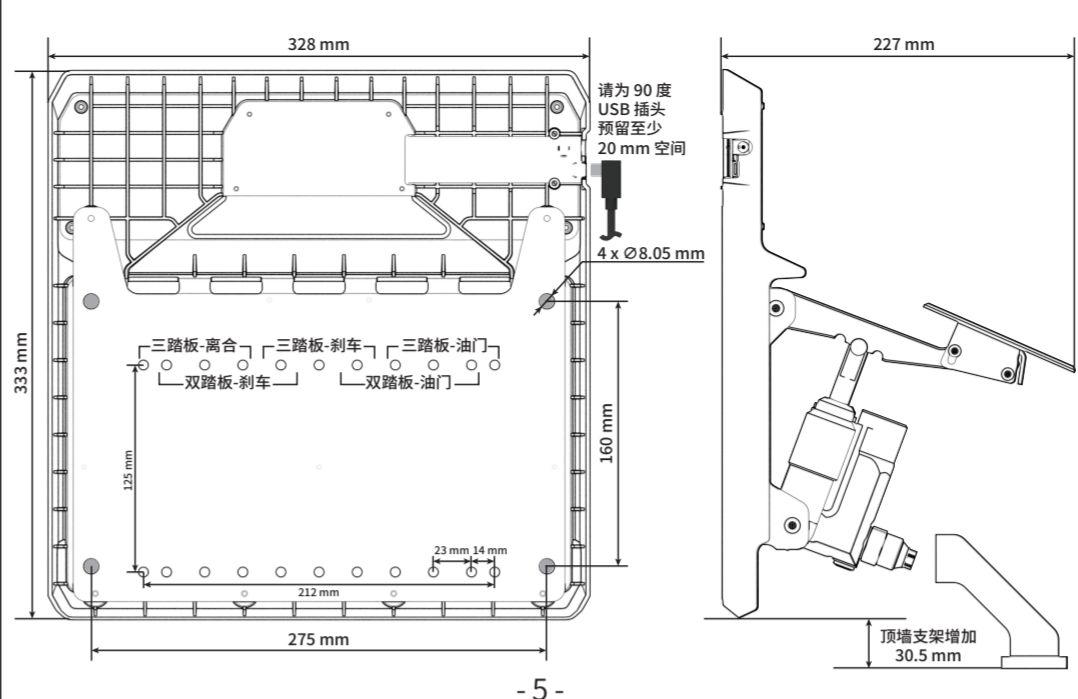
- 5 -

02 Installation of Pedal Modules



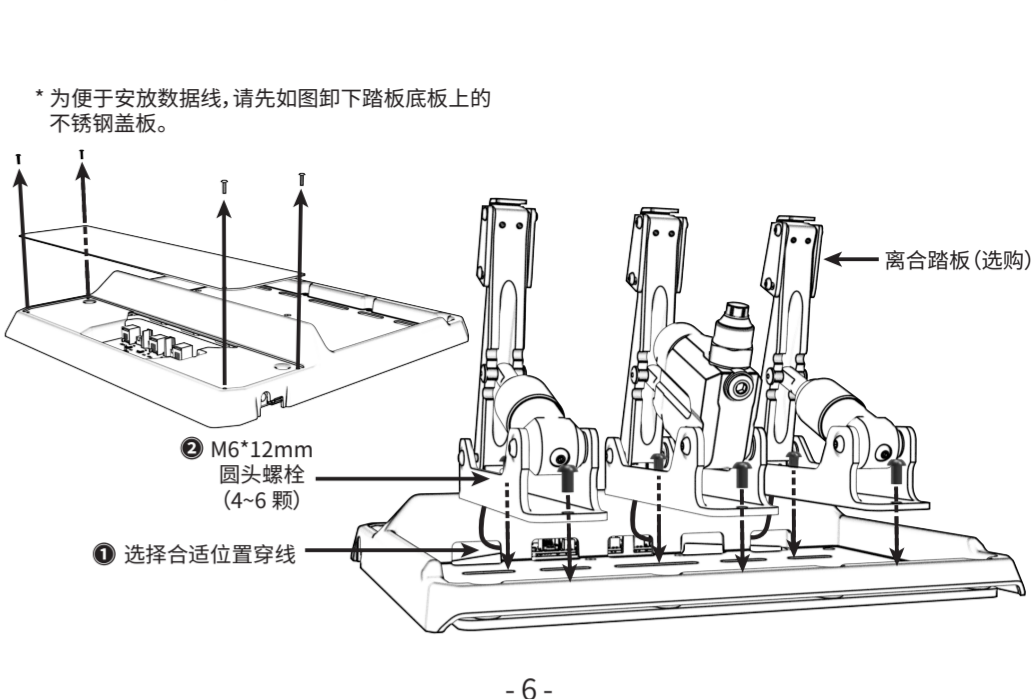
- 6 -

01 底面孔位图及推荐安装位置



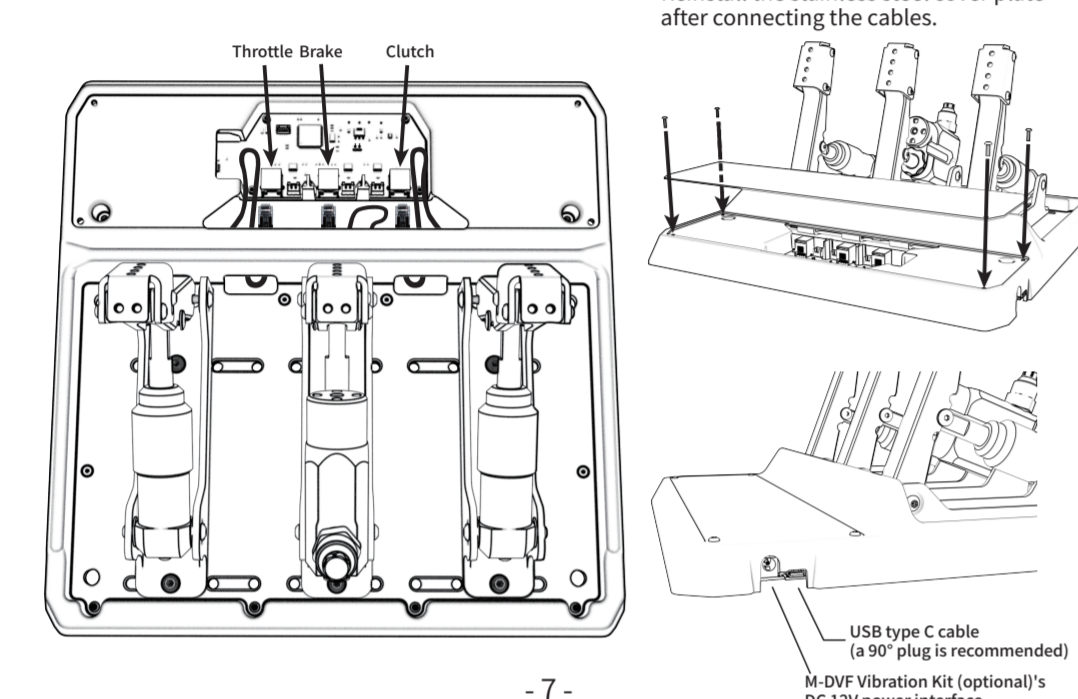
- 5 -

02 安装踏板模块



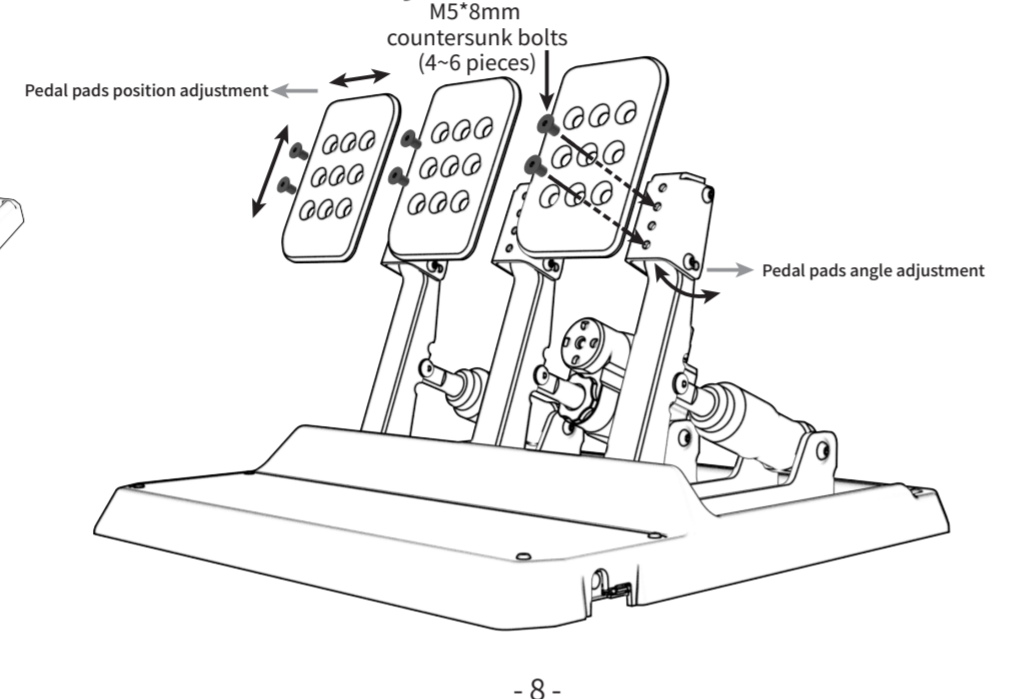
- 6 -

03 Connection of Sensor Cables



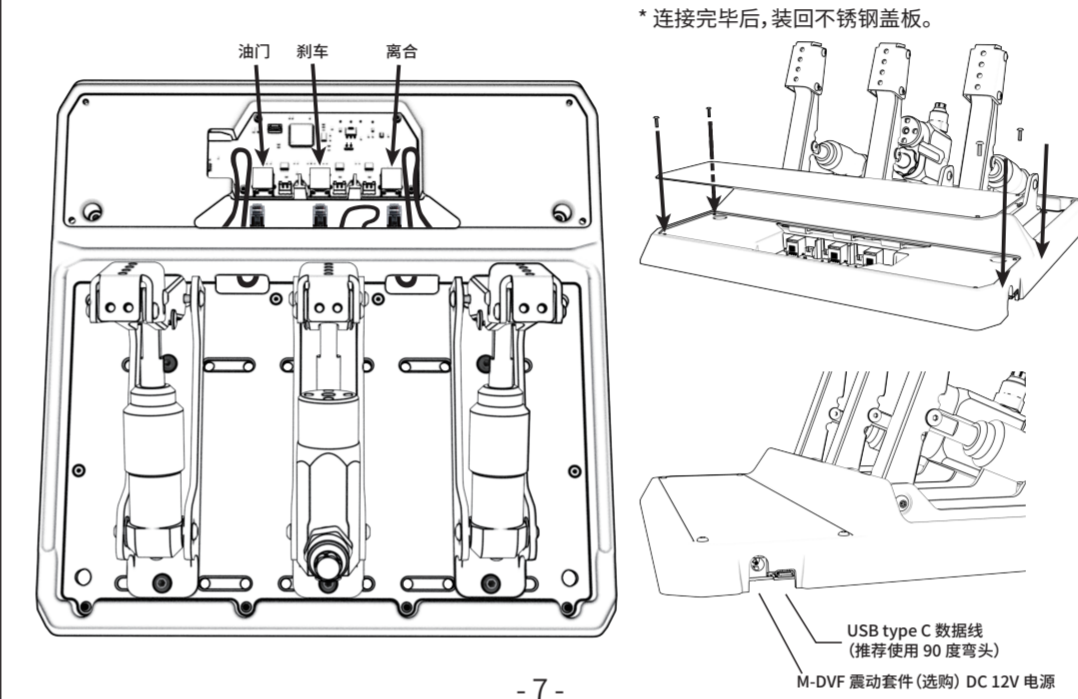
- 7 -

04 Installation and Adjustment of Pedal Pads



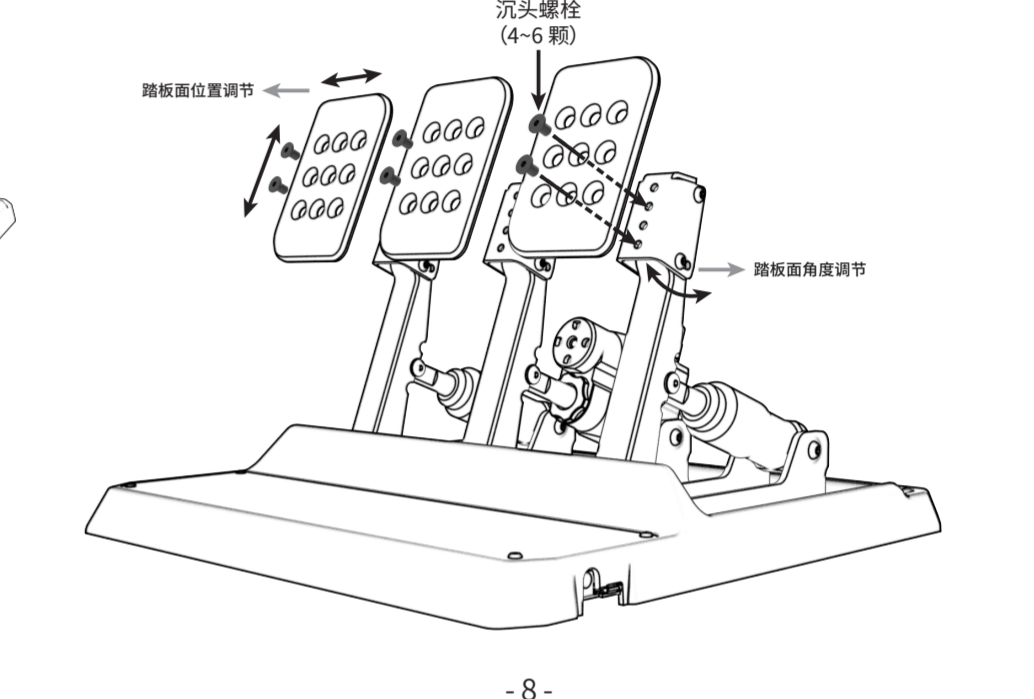
- 8 -

03 连接传感器数据线



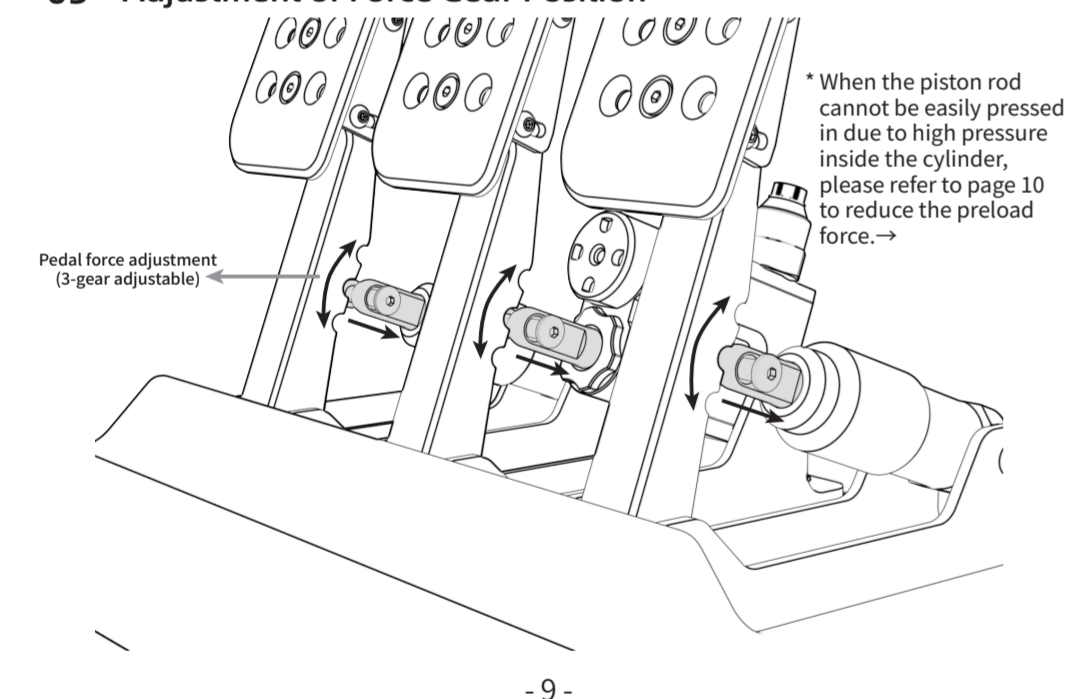
- 7 -

04 安装和调节踏板面



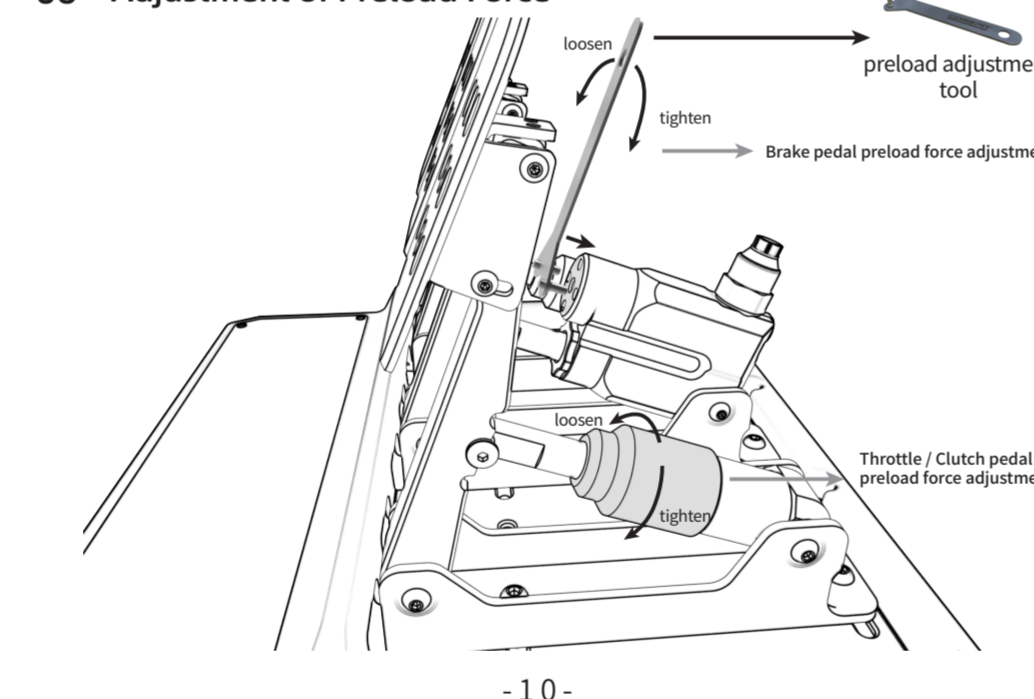
- 8 -

05 Adjustment of Force Gear Position



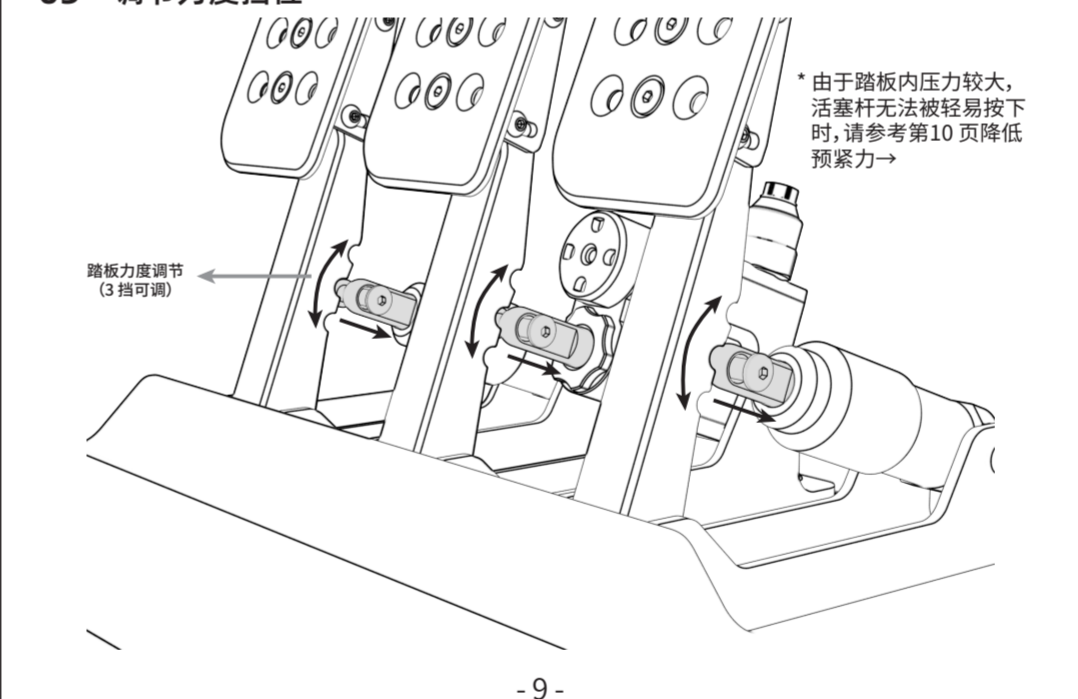
- 9 -

06 Adjustment of Preload Force



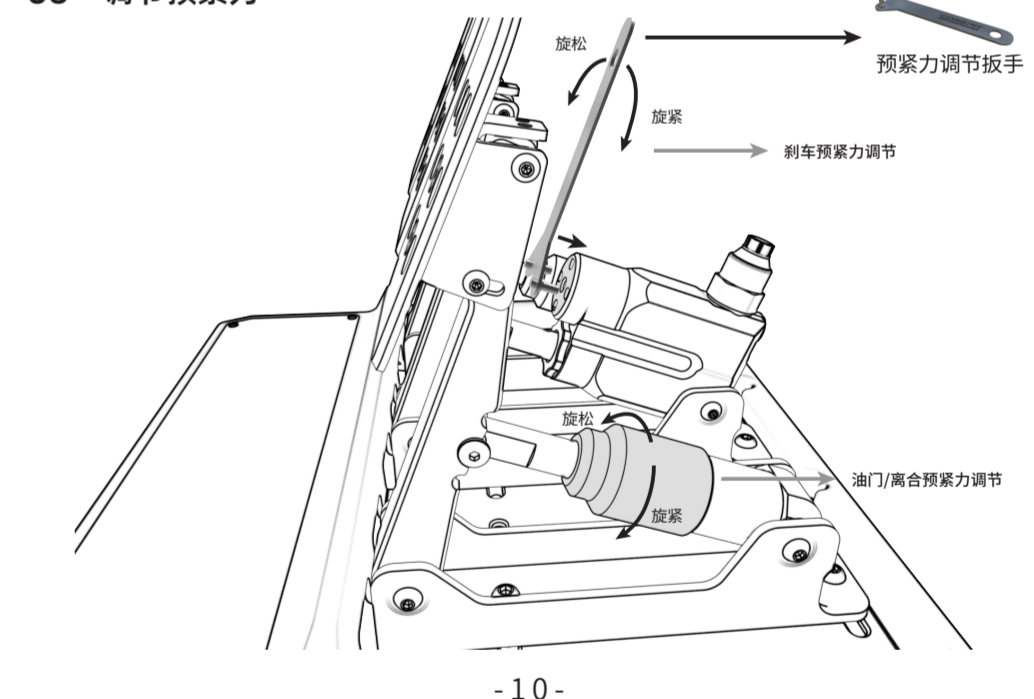
- 10 -

05 调节力度挡位



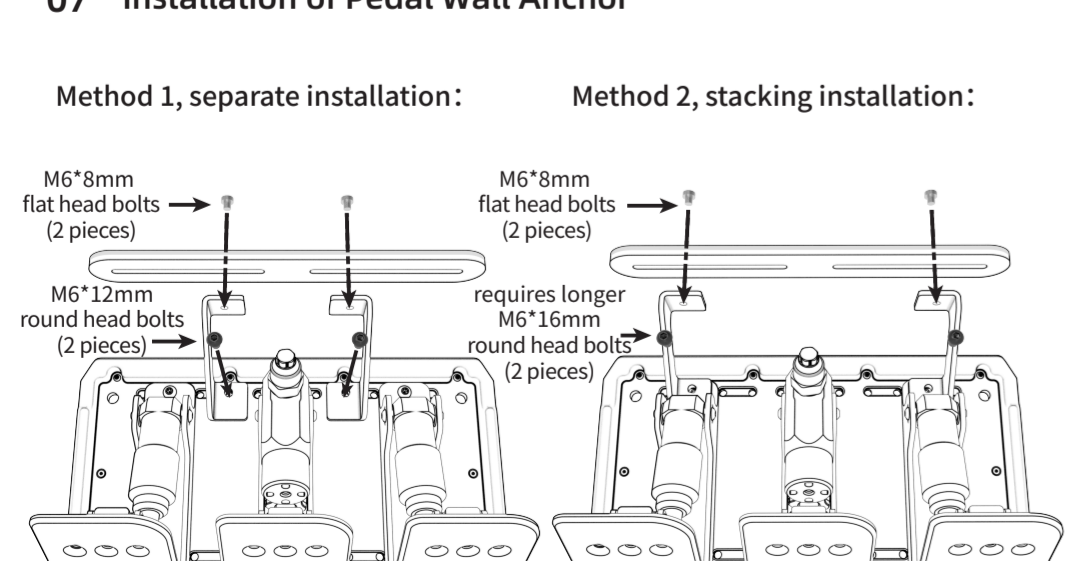
- 9 -

06 调节预紧力



- 10 -

07 Installation of Pedal Wall Anchor



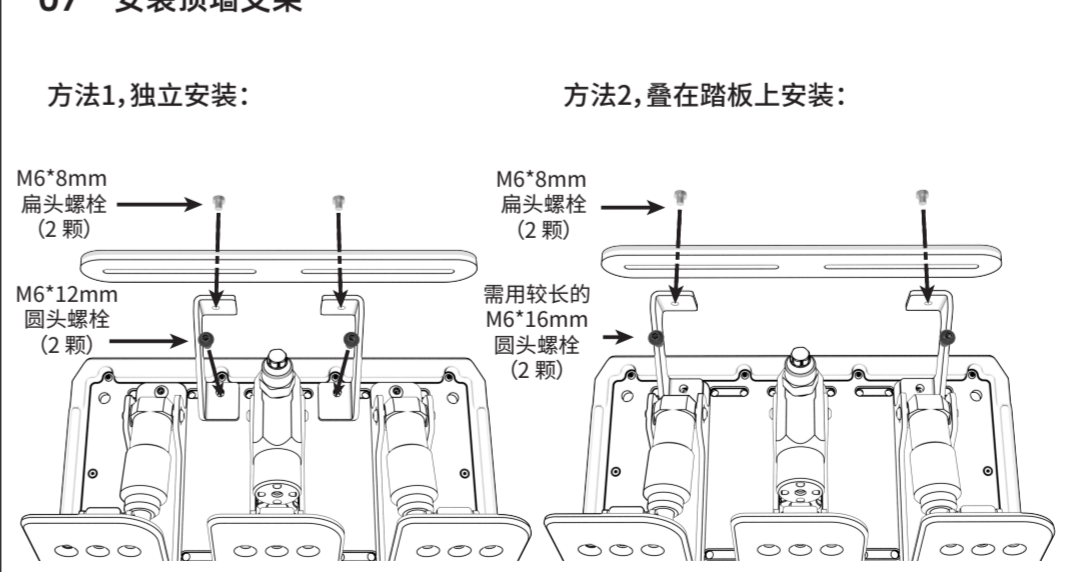
- 11 -

08 Software Installation and Set-up



- 12 -

07 安装顶墙支架



- 11 -

08 软件安装及设置



- 12 -