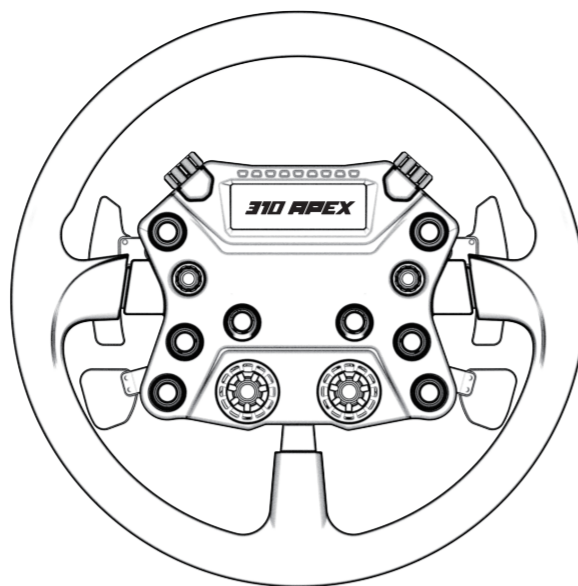


# CONSPIT



## 目录

产品免责声明.....	1
配件清单 .....	4
01. 功能介绍 .....	5
02. 使用 CONSPIT CDP 快拆连接 CONSPIT 基座 .....	7
03. 使用转接法兰连接其他基座 .....	9
04. 软件安装及设置 .....	12

- i -

## 产品免责声明

### 我们特此提醒您注意：

使用本产品前请确保您已认真阅读并充分理解本产品免责声明及以下所有产品安全提示及操作规范。在中华人民共和国法律允许的范围内，恩速（上海）电子科技有限公司对因您未遵循以下任何安全提示或操作规范使用本产品所造成的一切人身伤害和/或财产损失不承担责任。

如您对本声明或以下产品安全提示及操作规范有任何疑问，您可通过support@conspit.com.cn咨询。阅读本声明及以下产品安全提示及操作规范的过程中，如果您不同意其中的任何内容，您应立即停止使用本产品。如果您开始使用本产品，您的使用行为将被视为对本声明及以下产品安全提示及操作规范全部内容的认可。

- 搬运及安装过程中的安全讯息
  - 产品为部分金属和碳纤维材质，在零件安装过程中有发生磕碰伤害的可能，请勿在安装及使用穿着拖鞋、短裤等裸露皮肤较多的着装。
  - 零部件表面较为光滑，在取放及挪动时务必确保物品已被妥善拿起，部件脱手掉落可能造成财产损失甚至人身伤害。

- 务必在安全的情况下使用本产品
  - 请确保使用者有自行活动能力及清醒的意识，请勿在生煎、疲劳、受酒精/药物影响下使用本产品。

- 确定本产品已经安装妥当
  - 本产品需要您完成部分安装工作，确保您在安装过程中遵循产品手册上的步骤及指示，在没有正确牢固地进行安装的情况下使用可能会造成以下结果：部分紧固件脱落造成磕碰伤害；零件脱落飞出伤及自己或他人。

- 产品放置的安全讯息
  - 请勿在该产品四周50公分(厘米)范围内堆放杂物，使用时在产品周围留出足够您从容使用及离开设备的空间。

- 1 -



请先确认配件清单中全部零件再开始安装  
安装过程大约需要10-20分钟

- 3 -

## 配件清单



内六角扳手3.0  
内六角扳手2.0  
内六角扳手1.5



镊子



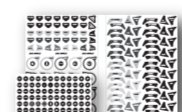
8号开口扳手



310 APEX 方向盘



USB 数据线



贴纸套装

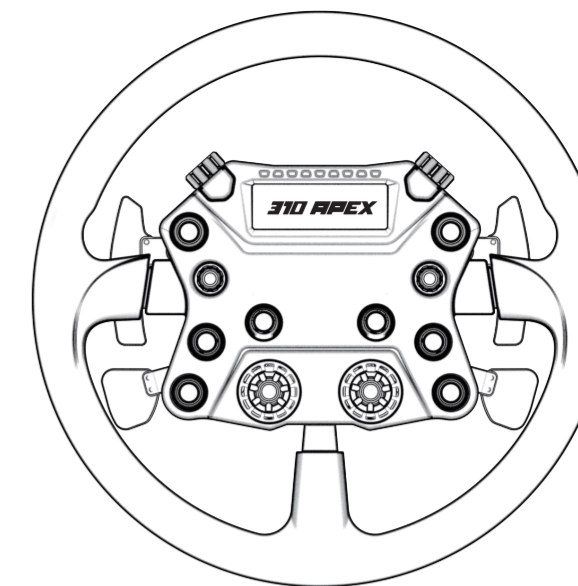


M5 螺母 (6 颗)

M5\*16mm  
内六角螺栓 (6 颗)M5\*14mm  
外六角螺栓 (9 颗)

- 4 -

# CONSPIT



## Table of Contents

Product Disclaimer .....	1
Packing List .....	4
01. Interface .....	5
02. Connect to CONSPIT Wheelbases with CONSPIT CDP QR .....	7
03. Connect to Other Wheelbases with an Adapter .....	9
04. Software Installation and Set-up .....	12

- i -

## Product Disclaimer

### We hereby reminds you that:

Before using this product, please ensure that you have carefully read and fully understood this Product Disclaimer and all the following product safety tips and operation specifications. To the extent permitted by the laws of the People's Republic of China, Ensu (Shanghai) Electronic Technology Co., Ltd. is not responsible for all personal injury and/or property damage caused by your failure to obey any of the following safety tips or operating specifications.

If you have any questions about this Disclaimer or the following product safety tips and operating specifications, you can consult through support@conspit.com.cn. In the process of reading this Disclaimer and the following product safety tips and operating specifications, you should immediately stop using this product if you do not agree with any of the contents. If you do use this product, your behavior will be regarded as an acceptance of this Disclaimer and the following product safety tips and operation specifications.

- Safety information during handling and installation:**
  - The product is made of metal and carbon fiber. There is a possibility of collision injuries during the installation of parts. Please do not wear slippers, shorts, or clothing that exposes a lot of skin during installation and use.
  - When picking up and moving items, please make sure you have a firm grip. Dropping components can cause property damage or even personal injury.
- It is essential to use this product under safe conditions:**
  - Please ensure that the user has the ability to move independently and is conscious. Do not use this product when sick, fatigued, or under the influence of alcohol/drugs.
- Ensure proper installation of the product:**
  - This product requires you to complete some installation work. Please follow the steps and instructions in the product manual during the installation process. Using the product without proper installation may result in the following: partial fasteners coming loose and causing collision injuries, parts detaching and causing injury to yourself or others.
- Safety information for product placement:**
  - Do not pile up debris within a 50-centimeter radius around the product. Leave enough space around the product for comfortable use and movement.

- 1 -



Please confirm all the components listed in the packing list before starting the installation.  
The installation process is expected to take 10-20 minutes.

- 3 -

\*Please note the serial number on your product before contacting the support.  
The serial number can be found on the warranty card and the side of the corrugated box, and written here for your convenience.



- There may be slight differences between the visuals and descriptions presented and the actual situation. Please refer to the actual circumstances.

- Please read the manual carefully before you use the steering wheel.
- Any modifications, tampering, changes or unauthorized uses of the product will void the warranty.
- The steering wheel has no waterproof feature, please keep it away from water, rain, moisture and other items containing liquid.
- Disconnect the USB cable if you will not use the product for a long time.

- ii -

### Safety information during play:

- Do not carry sharp objects (such as keys, screwdrivers, utility knives, etc.) during activities. Otherwise, serious personal injuries may occur.
- Avoid others entering the user's operating area.
- Avoid using excessive force. This product has been designed and manufactured with large structural strength and safety margins to prevent component detachment/failure. However, improper application of force beyond normal usage may still cause component damage, leading to potential safety risks.
- Situations that may pose hazards during normal use include, but are not limited to:**
  - Other people or pets coming close to the user's operating area.
  - Other electrical cables near the working area of pedals, steering wheels, and other moving parts.
  - Exposed skin on knees, arms, feet, legs, and other body parts due to inadequate clothing coverage.
- Follow all safety tips and operating procedures:**
  - Avoid using the product for an extended period - prolonged continuous use may cause fatigue, muscle pain, or other negative effects. We recommend a maximum single-use time of 2 hours, and the daily maximum recommended usage time should not exceed 6 hours.
  - Prohibit independent use by children under 12 years old, this product is not designed for use by children. Children should use this product under the supervision of their guardian.
- Malfunctioning and damaged products:**
  - If the product is damaged or cannot be used properly, please stop using it immediately and consult CONSPIT's after-sales customer service. Continuing to use it may cause further damage to the product.
  - Do not attempt to repair the product or its accessories by yourself.
- General preventive measures:**
  - Please store and protect the product and its accessories properly.
  - Do not immerse the product in liquid.
  - Do not use the product in any environment with flammable substances.
  - Using the product in dusty or dirty locations may cause damage.
  - Do not drop the product (or its components) or subject it to physical impact.

- 2 -

## Packing List



3.0mm hex wrench  
2.0mm hex wrench  
1.5mm hex wrench



tweezer



8mm open-end wrench



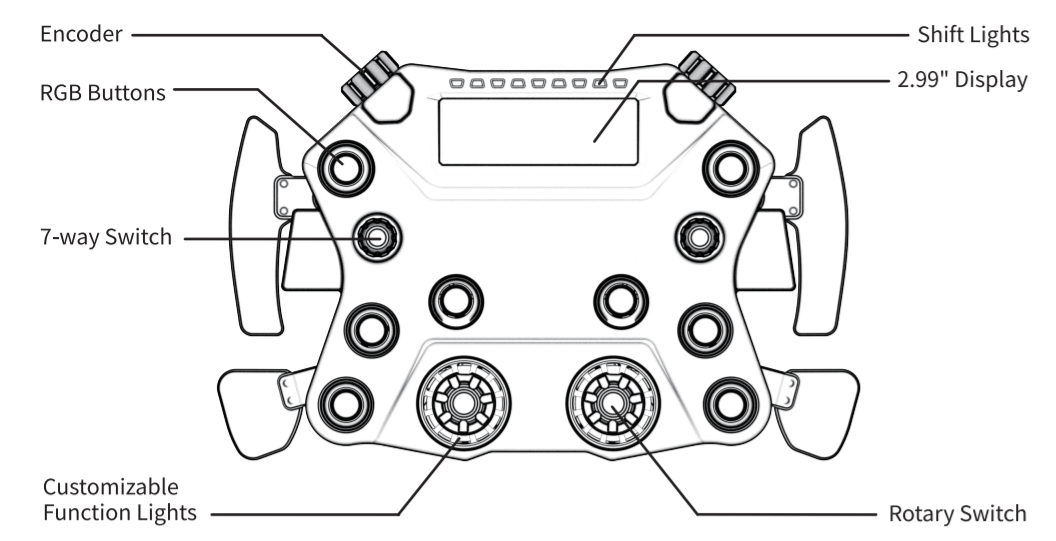
310 APEX steering wheel



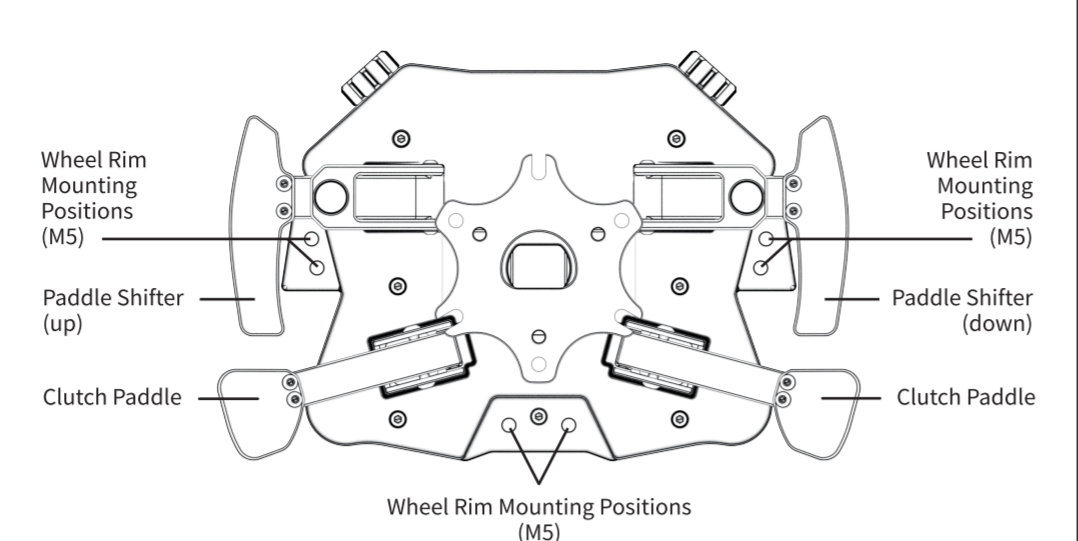
USB cable

M5\*16mm  
round head hex bolts  
(6 pieces)M5\*14mm  
hex head bolts  
(9 pieces)

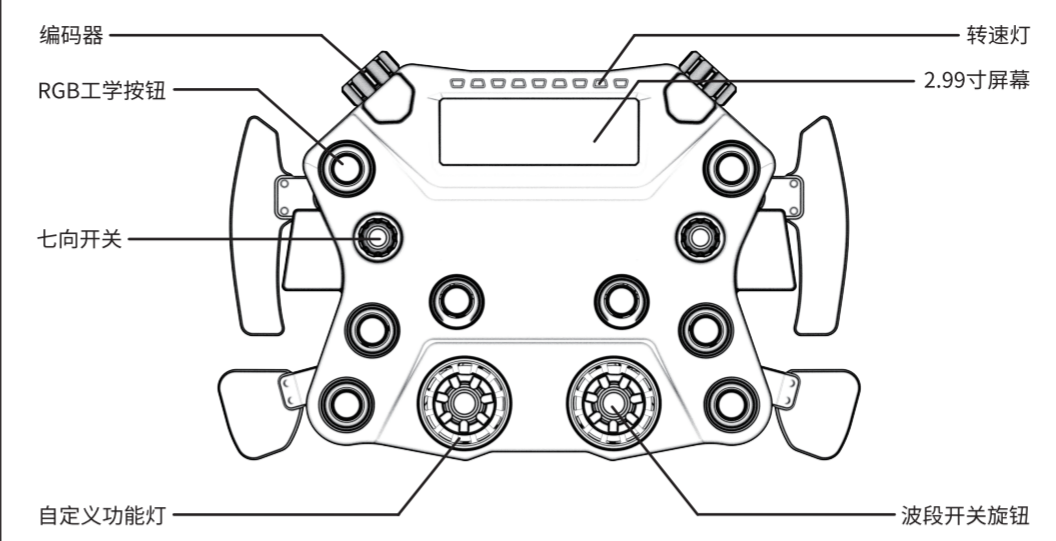
- 4 -



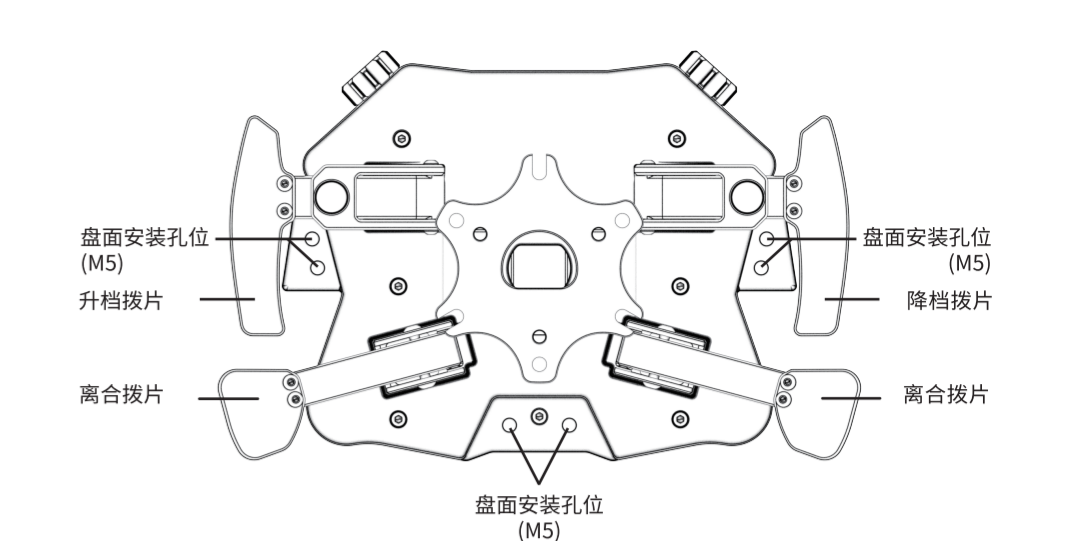
- 5 -



- 6 -



- 5 -



- 6 -

02 Connect to CONSPIT Wheelbases with CONSPIT CDP QR

**2.1**  
Disassemble the adapter.

M5 bolts (3 pieces)  
Plug out  
50mm to 70mm adapter

- 7 -

**2.2**  
Install the CONSPIT QR.

1 Plug in  
2 M5 bolts (3 pieces)  
CONSPIT CDP quick release (optional)  
Please place the color mark upwards.

- 8 -

02 使用 CONSPIT CDP 快拆连接 CONSPIT 基座

**2.1**  
拆卸转接法兰

M5 螺栓 (3 颗)  
接入/拔出  
50转70mm转接法兰

- 7 -

**2.2**  
安装CONSPIT快拆

1 接入  
2 M5 螺栓 (3 颗)  
CONSPIT CDP 快拆 (需单独购买)  
请将颜色标记朝向上方

- 8 -

03 Connect to Other Wheelbases with an Adapter

**3.1**  
Insert the aviation plug into the adapter and connect the coiled cable.

USB to PC  
Unplug  
Plug in after rotating to the correct position.

\* Align the plug with the socket, then pinch the rear part of the plug and rotate it to the correct position before pushing it in. Do not apply excessive force.  
\* When removing, gently pull the movable locking ring on the outside of the plug outward, and then the plug can be removed.

- 9 -

**3.2**  
Install the quick release.

M5\*14mm hex head bolts (3~6 pieces)  
other types of quick releases

\* The provided adapter has a  $\Phi 70$ mm six-hole specification, please ensure compatibility with the quick-release hole positions.

- 10 -

03 使用转接法兰连接其他基座

**3.1**  
将航空插头接入转接法兰,连接USB数据线

USB 直连电脑  
拔出  
旋转至正确位置后接入。

\* 将航空插头对接上插口,然后捏住插头尾部旋转至正确位置后即可推入,切勿过度用力。  
\* 拔出时,将插头外的可活动锁止环向外轻拨,即可拔出插头。

- 9 -

**3.2**  
安装快拆

M5\*14mm 外六角螺栓 (3~6 颗)  
其他种类快拆

\* 提供的转接法兰孔径为 $\Phi 70$ mm六孔规格,请注意和快拆孔位的兼容性

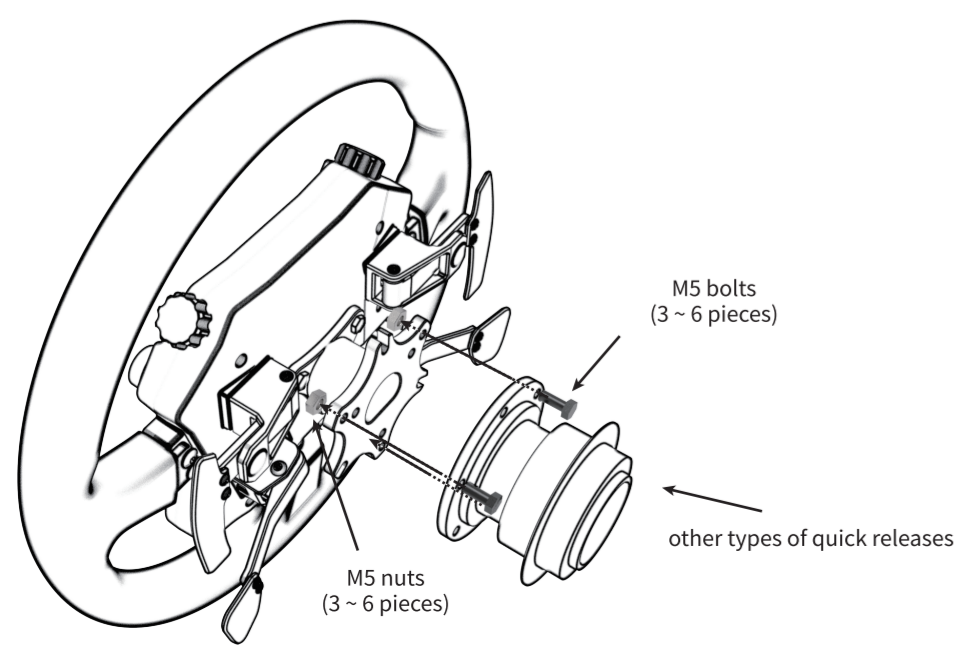
- 10 -

04 Software Installation and Set-up

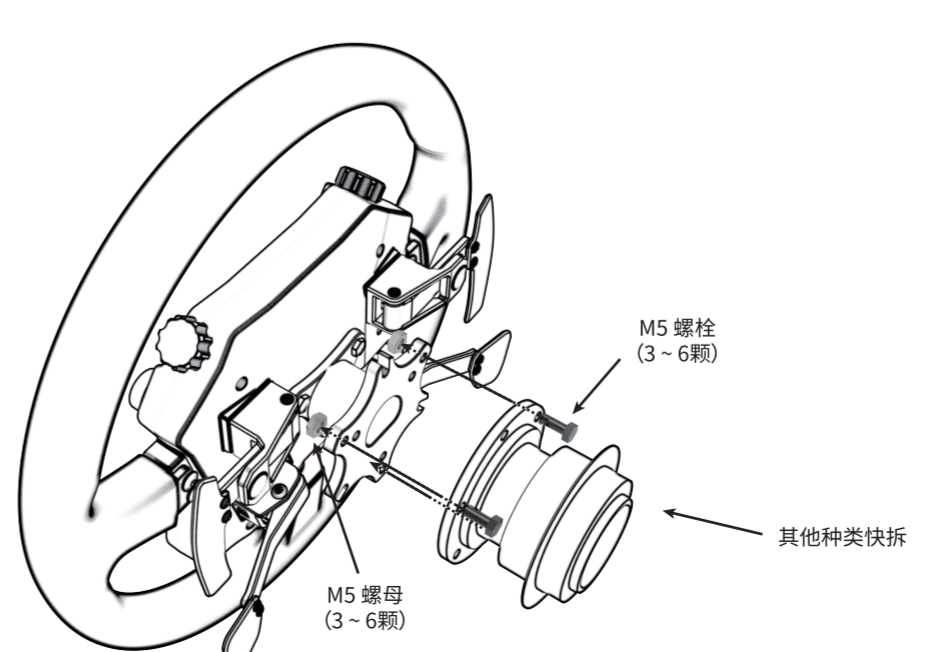
\* Visit [www.conspit.com](http://www.conspit.com) and download Conspit Link 2.0.



Please scan the QR code for reference.



- 11 -



- 11 -

04 软件安装及设置

\* 请访问[www.conspit.com](http://www.conspit.com), 下载Conspit Link 2.0驱动程序



请扫描二维码参阅

- 12 -